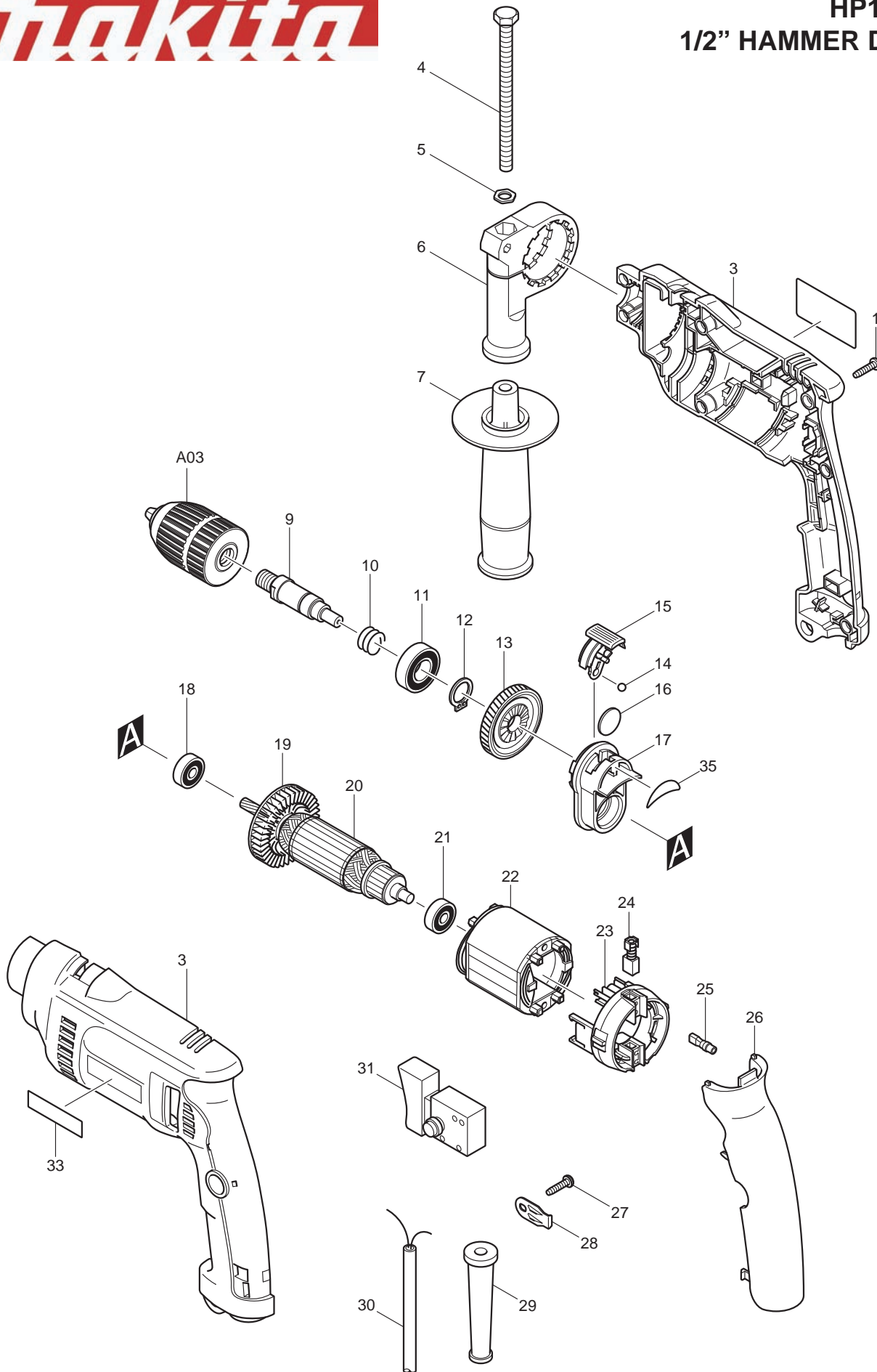




04 - 2010
HP1621K
1/2" HAMMER DRILL



Item No.	Type	Sub	Part No.	Description	Qty	Unit
1			265995-6	TAPPING SCREW 4X18	7	PC.
3			183711-3	HOUSING SET	1	SET
		INC.	345399-9	PLATE	2	PC.
		INC.		Item No. 33		
4			921923-8	HEX. BOLT M8X120	1	PC.
5			345280-4	HEX. WASHER	1	PC.
6			417630-4	GRIP BASE	1	PC.
7	1		152489-9	GRIP 36 COMPLETE	1	PC.
	2		152521-9	GRIP 36 COMPLETE	1	PC.
9			324397-6	SPINDLE	1	PC.
10			233389-3	COMPRESSION SPRING 15	1	PC.
11			211201-7	BALL BEARING 6002LLB	1	PC.
12			961055-9	RETAINING RING S-15	1	PC.
13			226579-5	HELICAL GEAR 45	1	PC.
14			216018-3	STEEL BALL 5.0	1	PC.
15			418319-7	CHANGE LEVER	1	PC.
16			345354-1	PLATE 19	1	PC.
17	2		141165-0	CAM HOLDER COMPLETE	1	PC.
18			210023-2	BALL BEARING 627DDW	1	PC.
19			240067-8	FAN 55	1	PC.
20			517456-5	ARMATURE ASS'Y 115V	1	PC.
		INC.		Item No. 18,19,21		
21	1		210023-2	BALL BEARING 627DDW	1	PC.
	2		211028-5	BALL BEARING 627LB	1	PC.
22			633566-1	FIELD 115V	1	PC.
23			638237-5	BRUSH HOLDER UNIT	1	PC.
24	1		191927-6	CARBON BRUSH CB-407 2PC/SET (W/O ORIGIN) - N/L/A	1	SET
	2		195007-0	CARBON BRUSH CB-407 2PC/SET (W/ ORIGIN)	1	SET
25			686038-5	RECEPTACLE SLEEVE	2	PC.
26			418320-2	HANDLE COVER	1	PC.
27			265995-6	TAPPING SCREW 4X18	1	PC.
28			687169-3	STRAIN RELIEF	1	PC.
29			682502-4	CORD GUARD 8-85	1	PC.
30	1		664881-2	CORD W/PLUG 2P-18-2.0M, SJO	1	PC.
	2		660002-4	CORD W/PLUG 2P-18-2.0M, SJ	1	PC.
31			650543-8	SWITCH TG843TB-1	1	PC.
33			819063-3	MAKITA LABEL	1	PC.
35			345400-0	SPACER (OLD) - N/L/A	1	PC.

ACCESSORIES

A01			324219-0	DEPTH GAUGE	1	PC.
A02	1		182992-6	PLASTIC CARRYING CASE SET - N/L/A	1	PC.
		INC.	183091-7	SLIDE LATCH RL SET	1	SET
	2		824724-2	PLASTIC CARRYING CASE	1	PC.
		INC.	183091-7	SLIDE LATCH RL SET	1	SET
	3		824444-8	PLASTIC CARRYING CASE	1	PC.
A03			194073-4	1/2" KEYLESS DRILL CHUCK - PKG	1	PC.
			763192-3	1/2" KEYLESS DRILL CHUCK - BULK	1	PC.
A04			765009-6	BLOW OUT BULB	1	PC.
A05			134943-5	GRIP ASSY (Includes Items 4 - 7) - N/L/A	1	PC.
		INC.		Item No. 4-7		